

ΔVΔNOS*



BALLARD* LIBERATOR
ADAPTER FOR BRONCH/BAL

Instructions for Use



Figure 1

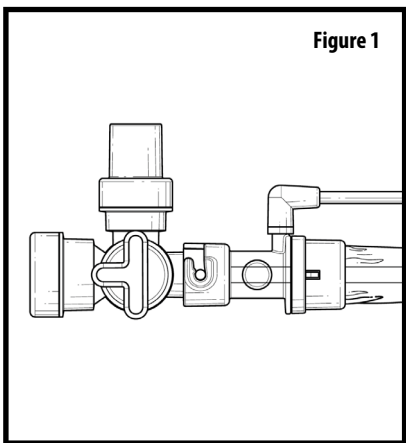


Figure 2

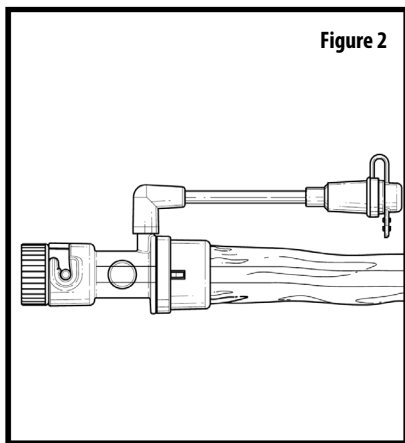


Figure 3

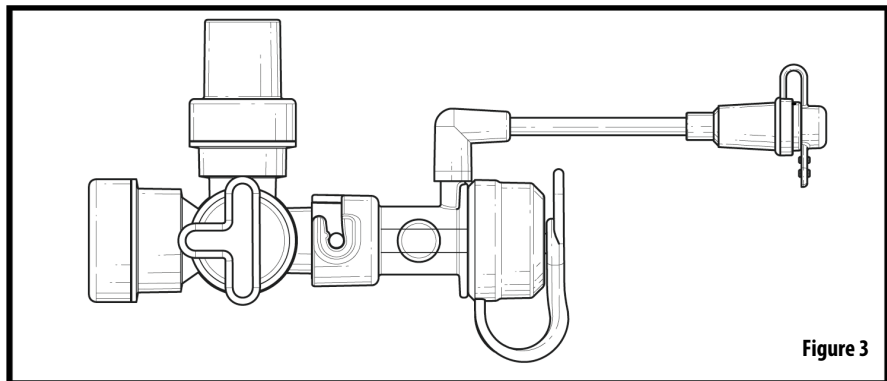
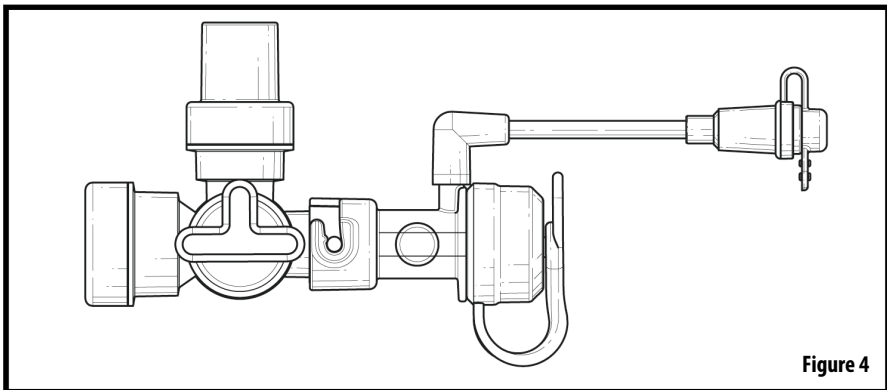


Figure 4



General Instructions for Use

These instructions apply to: BALLARD* Liberator Adapter for Bronch/BAL.

Indications:

The BALLARD* Liberator Adapter for Bronch/BAL is a single patient use accessory for use with the BALLARD* Liberator ET Tube Clearing System.

⚠ Warnings

- Do not cut or trim the endotracheal tube (not supplied) while the BALLARD* Liberator ET Tube Clearing System is attached, otherwise the BALLARD* Liberator Closed Suction Catheter may also be cut and a portion of the catheter could be aspirated into the lower respiratory tract and may cause death or serious injury.**
- Do not reuse or reprocess this medical device. Reuse or reprocessing may: (a) adversely affect the known biocompatibility of the device, (b) compromise the structural integrity of the device, (c) lead to the device not performing as intended, (d) create a risk of contamination and cause the transmission of infectious diseases resulting in patient injury, illness or death.**

⚠ Cautions

- Single patient use only.
- Rx only.
- For use only with the BALLARD* Liberator Closed Suction Endotracheal Tube Clearing System.
- Do not use if packaging has been compromised. Nonsterile contents may cause infection.
- Do not use on tracheostomy patients.
- Refer to BALLARD* Liberator ET Tube Clearing System instructions for use prior to use of the Adapter.

Suggested Procedure


- Refer to BALLARD* Liberator ET Tube Clearing System instructions for use prior to use of the Adapter.
- Using gloves and eye protection, carefully open the sterile package in a clean manner.
- Assure stopcock on manifold is in the ventilator only position. **(Figure 1)**
- Carefully disconnect catheter from manifold rotating counter clockwise. Avoid leaving device/accessory disconnected from manifold for prolonged period of time.
- Using cap from Adapter, place cap on catheter (clockwise twist). Set catheter aside. **(Figure 2)**
- Carefully connect Adapter to manifold. **(Figure 3)**
- Open stopcock on manifold to catheter side. **(Figure 4)**
- Perform bronchoscopy, BAL, BALLARD*, or other catheter-based diagnostics and /or therapeutics as required inserting device through the Adapter Cap.
- Once the inserted device/catheter has been pulled back to where the tip of the device is visible proximal to the stopcock, rotate stopcock on manifold to ventilator only position. **(Figure 3)**
- Perform Catheter Rinsing (Irrigation) procedure as device allows or is required. (For example, to clean the tip of the bronchoscope before it would be reintroduced into the tracheobronchial tree.)
- When Adapter procedures are complete, assure stopcock is in the ventilator position and carefully disconnect Adapter from manifold.
- Remove cap from BALLARD* Liberator Closed Suction Catheter and carefully reconnect catheter to manifold.



⚠ Not recommended for use with Parker Medical Endotracheal Tubes.

Store in a cool dry place.

 Diameter	 Single Use Only	 STERILE EO	 Do not use if package is damaged	 Do not resterilize
 Not made with natural rubber latex	Rx Only	 Caution	 Consult instructions for use	

Distributed in the USA by Avanos Medical Sales, LLC,
5405 Windward Parkway, Alpharetta, GA 30004 USA.
In USA, 1-844-4AVANOS (1-844-428-2667). www.avanos.com

 Avanos Medical, Inc.,
5405 Windward Parkway,
Alpharetta, GA 30004 USA.

 Avanos Medical Belgium BVBA,
 Leonardo da Vincilaan 1,
1930 Zaventem, Belgium.

Sponsored in Australia by Avanos Medical
Australia Pty Ltd, 475 Victoria Avenue,
Chatswood, NSW 2067, Australia.

*Registered Trademark or Trademark of Avanos Medical, Inc.,
or its affiliates. © 2018 AVNS. All rights reserved. 2023-08-16
15-M1-842-03