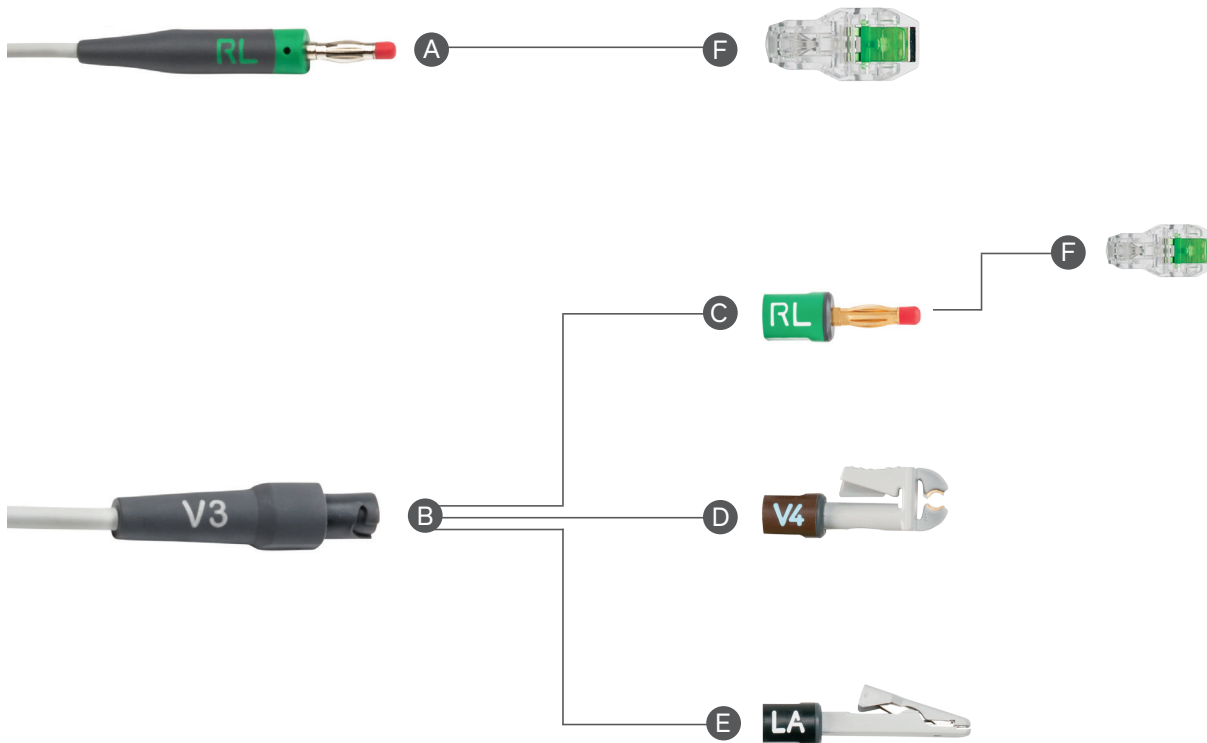


# DIAGNOSTIC CARDIOLOGY (DCAR) LEADWIRE CONNECTIONS GUIDE

LATEX FREE



TYPE	ITEM	PK	DESCRIPTION
A	2016032-001	10	Leadwire set, diagnostic cardiology, banana-ended, mixed lengths, AHA
	2016033-001	14	
B	2089797-001	14	Leadwire set, diagnostic cardiology, blank-ended, mixed length, AHA
	2089797-002	10	
C	900178-001	10	Leadwire connector set, diagnostic cardiology, banana adapter, AHA, unique
	900179-201	14	
D	900178-003	10	Leadwire connector set, diagnostic cardiology, grabber, AHA, unique
	900179-203	14	
E	900178-002	10	Leadwire connector set, diagnostic cardiology, mactrode, AHA, unique
	900179-202	14	
F	2056813-010	10	Connector, diagnostic cardiology, Sure-Lock™ clip
	2056813-014	14	

For more information contact your AirLife® representative.